

# WHERE TO...

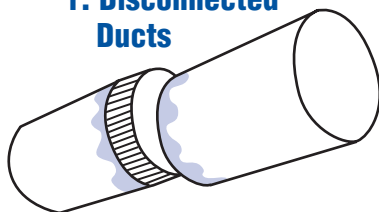
## ...SEAL HEATING & COOLING AIR DUCTS WITH MASTIC

Leaking air ducts can be found in attics, crawlspaces, basements, garages, closets, ceilings and walls. Sealing all joints and seams with RCD Mastics® will reduce wasted energy, lower monthly energy bills, reduce carbon emissions, and improve indoor air quality and comfort.

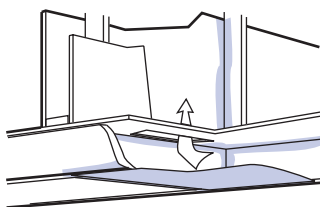


Seal those areas highlighted in blue with Mastic.

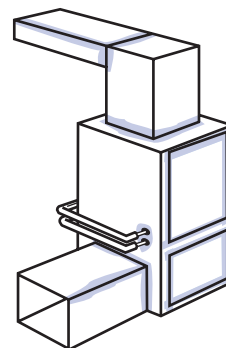
### 1. Disconnected Ducts



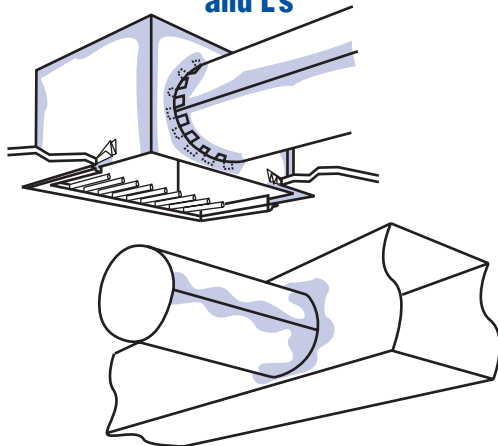
### 2. Building Cavities Used as Duct



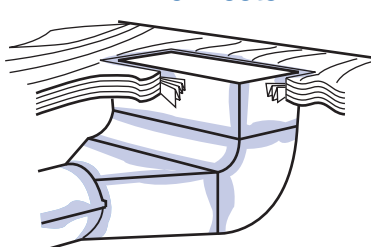
### 3. Plenums and Air Handlers



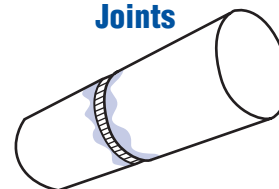
### 4. T's, Y's, and L's



### 5. Boots



### 6. Straight Joints



#### HERE'S WHAT YOU'LL NEED TO GET STARTED:

- Flashlight and/or head lamp with fresh batteries.
- Attics with no flooring; a work board you can move around that will support your weight and span across two joists.
- One gallon pail and two or three caulk tubes of #6 Mastic®.
- #115 Caulk Gun™, Mastic brush and Fin & Plenum Brush™.
- 2-3 pairs of latex throw away gloves (when only your hand will fit).
- One roll of Glasscoat™ mesh.
- 2-3 cloths and a can of #34 Coil & Fin Cleaner™ for wiping joints clean before applying mastic and for clean up.
- Utility knife and telescoping inspection mirror.
- Pliers, screw driver and tin snips (you never know what you'll run into).

RCD, Doug and specific product designations are all trademark protected symbols owned by RCD Corp